

SM92-1

product group: **Stage Monitor**
system type: **12"x1" POINT-SOURCE COAXIAL**

construction

The SM92-1 is a full range, 2-way point-source coaxial system in a computer optimized enclosure. Loud-speaker complement consists of a single proprietary coaxial device. Mechanical attachment aligns the acoustic center of the high frequency driver with that of the low frequency transducer, distributing perfectly aligned high and low frequency energy along an 80° conical coverage pattern. An optimized switchable biamp to passive crossover network is included standard. The enclosure is constructed of durable 12-ply void-free birch laminate, dadoed for strength and durability. Perforated steel is employed for frontal protection of the loudspeaker complement.



Features:

- Coaxial Point-Source Design**
- Switchable Passive to Biamp Crossover**
- 12 ply Dadoed Construction**
- Durable ProCoat™ Elastomeric Finish**



the idea behind it

The SM92-1 was designed as a compact, full range monitoring system for professional touring and staging applications, with emphasis on providing superior, high-impact sound while maintaining a very small footprint and low stage profile. Utilizing McCauley's high impact Coaxial componentry, the SM92-1 offers extraordinary acoustic quality and high SPL output, rivaling conventional systems many times its size.

Applications:

- Stage Monitor**
- Rehearsal Monitor**
- Portable Sound Reinforcement**

performance parameters

power handling	400w RMS
frequency response	60Hz - 20kHz
nominal impedance	
Low	8Ω
High	16Ω
sensitivity	
Low	96db
High	109db
maximum output SPL	
Continuous	123db
Peak	129db
recommended crossover	1.2kHz
directivity/coverage	80°x80° (HxV)

physical properties

weight	54lbs / 24kgs
dimensions	
inches	15H x 14W x 12D
centimeters	38H x 36W x 30D
finish	ProCoat™
enclosure material	5/8" 12-ply Finland Birch
construction	rabbet & dadoed
suspension	none
connectors	parallel NL4
transducers	(1) 12"x1" Full Range Coaxial Transducer

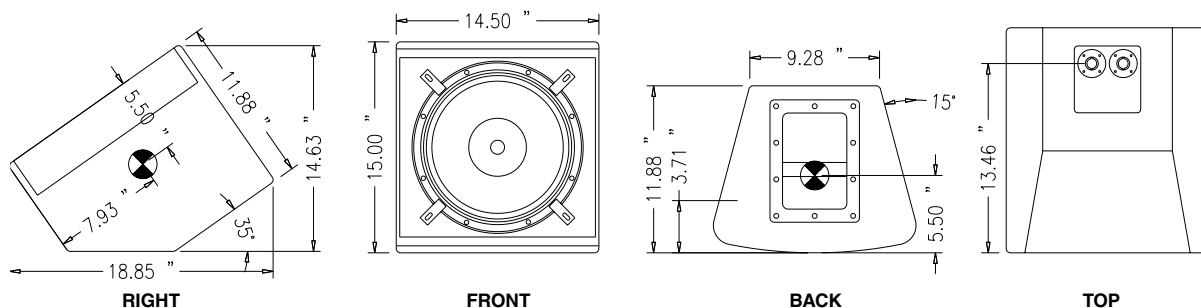
technical specifications

SM92-1
2-WAY FULL RANGE STAGE MONITOR

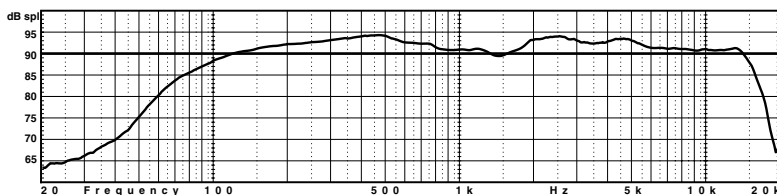
architectural specifications

The loudspeaker shall be a two-way floor monitor type with one 12" Full Range 2 Way Coaxial Point Source driver mounted in a bass reflex enclosure. The low frequency section shall contain one MCX 12" "Focused Field" driver with a power handling capacity of 300 watts RMS and shall have a sensitivity of 96 dB SPL measured at 1meter with 2.83 volts into a nominal 8 ohm load. The high frequency section shall consist of one MCX 1" exit compression driver and horn combination with a power handling capacity of 100 watts RMS and a sensitivity of 109 dB SPL measured at 1meter with 2.83 volts into a nominal 16 ohm load. The combined loudspeaker system shall be capable of 123 dB SPL continuous and 129 dB SPL peak maximum output. The loudspeaker system shall have an effective operating range of 100 Hz to 17 kHz +/- 3 dB (60Hz to 20 kHz -10 dB). The loudspeaker shall offer symmetrical coverage angles of 80° Horizontal, and 80° Vertical. The enclosure shall weigh a total of 60 lbs. and shall measure 15 inches tall, 14.25 inches wide (9.25 inches at rear), 12 inches deep. The enclosure shall have a 35° fixed angle bottom, and the sides shall be angled at 15° from front to back forming a trapezoidal shape. The enclosure shall be made of 12-ply birch hardwood and shall have a weather and wear resistant ProCoat™ elastomeric finish. The enclosure shall incorporate one steel handle on the top for easy mobility. Electrical connections shall be made via paralleled Neutrik NL-4 connectors, or optional NL-8 or EP series connectors. An optimized passive crossover network shall be switchable between full range and biamp modes. The loudspeaker shall be the McCauley SM92-1.

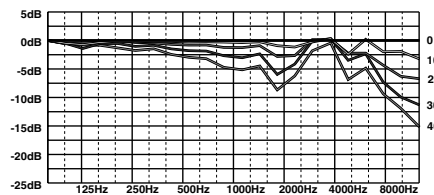
dimensional illustrations



response data



on axis response (2.83v@1m, free-field conditions)



off axis response (normalized to on axis response)

polar data

Outer ring is +6dB, each ring represents an additional -6dB down.
For vertical plots, 90° represents the top of an enclosure, 270° is the bottom.

